



PREMIER MODULAR LENGTH SEPARATORS

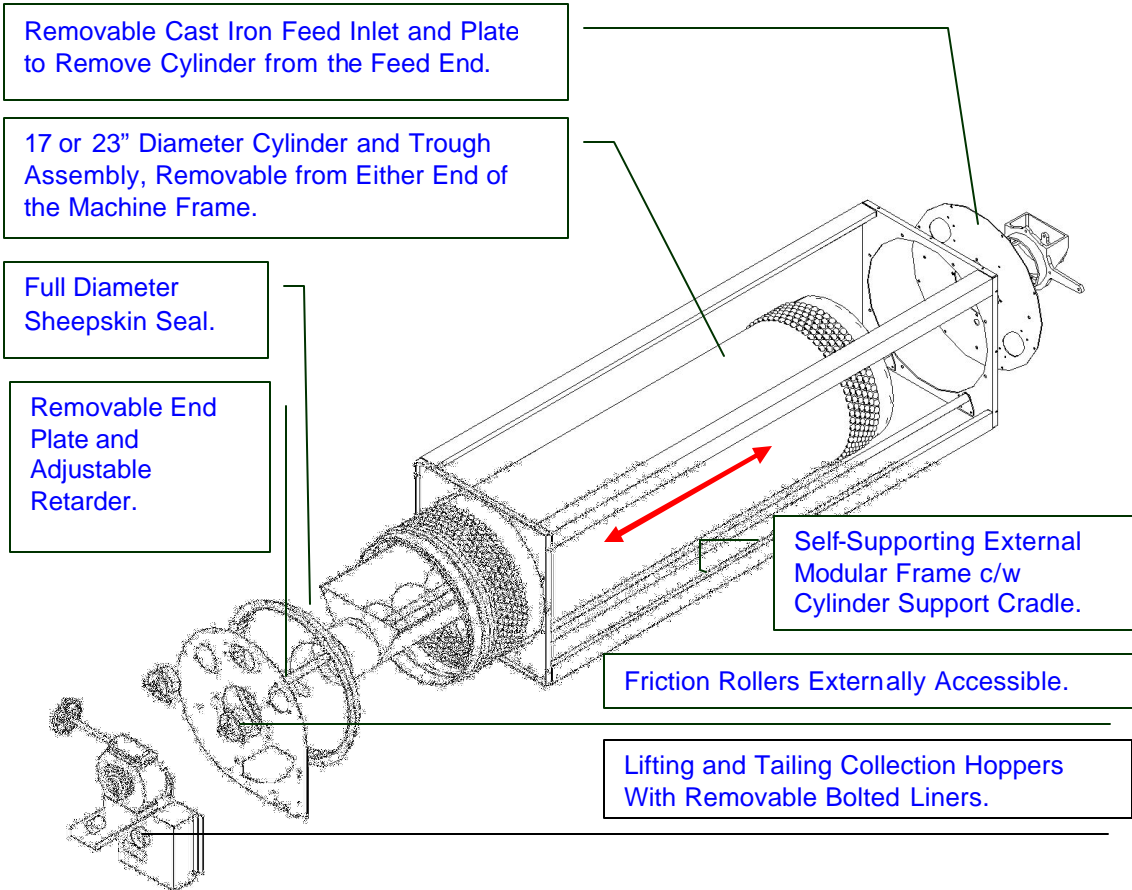


Standard Features:

- 17" or 23" Diameter Separating Cylinders
- Carbonitride Hardened Cylinders for Long Life
- Heavy Duty Shafting
- Sealmaster Heavy Duty Bearings
- Cast Iron Inlet and Outlet Discharges in High Wear Areas
- Modular Design Allows Machines to be Stacked or Added at a Future Date



Premier Modular Length Graders are Designed and Built with Ease of Operations and Maintenance in Mind.

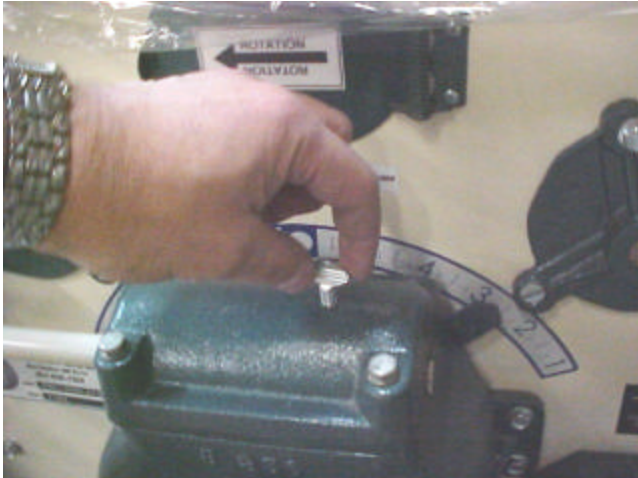


PRGP55SF-MOD-17



PRGP43PF-MOD-23

Premier Standard Features



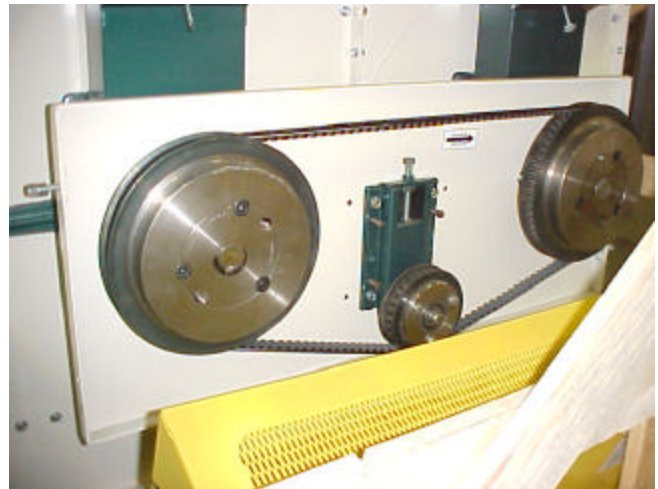
Standard Trough Lock



Large Inspection Ports



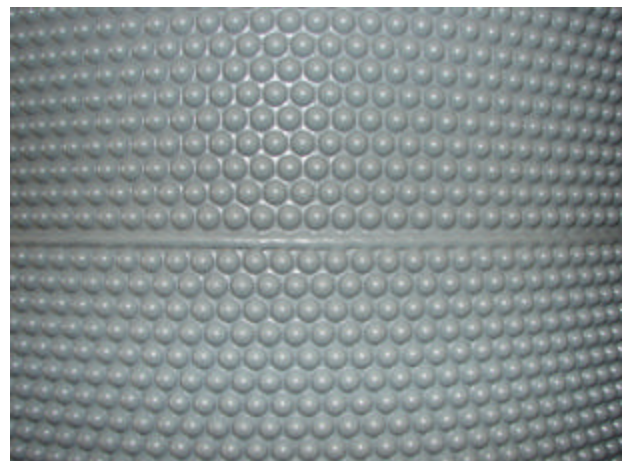
Trough Position Indicator



Poly Chain Drive



Superior Steel Shafting



55RC Hardened Cylinder



**PREMIER GRAIN CLEANER COMPANY
MANUFACTURER OF PREMIUM
REPLACEMENT PARTS AND
COMPONENTS
FOR CARTER, NORTHLAND AND IDEAL
CYLINDER MACHINES**



From Boxed Individual Cylinders to Complete Cylinder Assemblies



Cylinders and all Major Components are Manufactured In-House