

# MAGNETIC

# BELT DIRT SORTER

Magnetic belt dirt sorters are specialized in separating foreign material with weak magnetism (such as dirt, clods, pumices, stones, brick chippings, mineral substance and so on) from granular materials after pre-cleaning process. The materials fed into the machine by vibrating feeder and conveyed by belt, the foreign material with weak magnetism are caught by magnetic roller, and discharged to outlet of impurities; the materials are discharged to another outlet to next process.

## BENEFITS

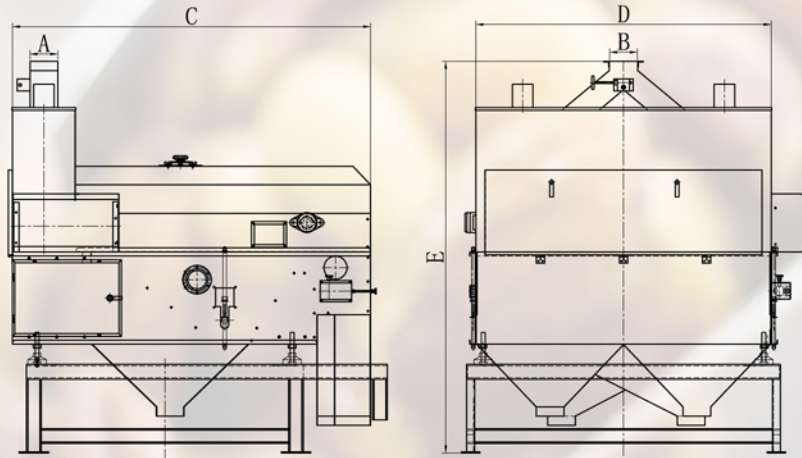
- Strong rare earth magnets
- Automatic continuous self clean
- Food grade
- Special voltage available
- Belt replaceable





# TECHNICAL DATA

Magnetic Performance: Gauss value on the surface of magnetic roller  $\geq 15'000Gs$ ,  
 gauss value on the surface of belt  $\geq 10'000Gs$   
 66 kgs of magnetic pull strength using a 1" steel ball  
 Materials of housing and other parts: 304 stainless steel/316 stainless steel  
 Surface finish: Brushed



Model No.	Inlet AXBmm	Outline Dimension CXDXEmm	Belt Width mm	Power KW	Working Voltage V	Capacity kg/h
SCXC-050	100X100	900X578X1180	500	0.37	220/380	1000-2000
SCXC-097	116X150	1940X1100X1477	970	0.55	220/380	2000-3000
SCXC-150	150X150	1940X1600X2123	1500	0.75	220/380	3000-6000
★ SCXC-230J	400X2422	2000X2576X1839	2300	1.10	220/380	8000-10000

★ Simple type.