



HIGH CAPACITY DUAL REEL SCALPER ASPIRATOR



ArrowCorp 76" SDDS Closed Circuit

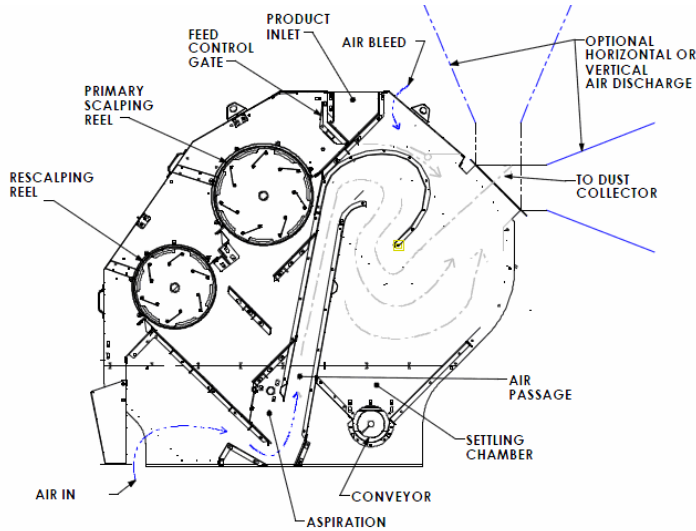
Standard Features:

- Available in Either Open or Closed Circuit Design
- Design Allows Addition of Optional Metered Feed Roll
- 21.5" Diameter Primary Scalping Reel Manufactured from Tri-Bar Wire
- 18" Diameter Secondary Scalping Reel Manufactured from Tri-Bar Wire
- Available up to 144" wide, Capacity up to 350 Metric Tonne/Hour (Wheat)

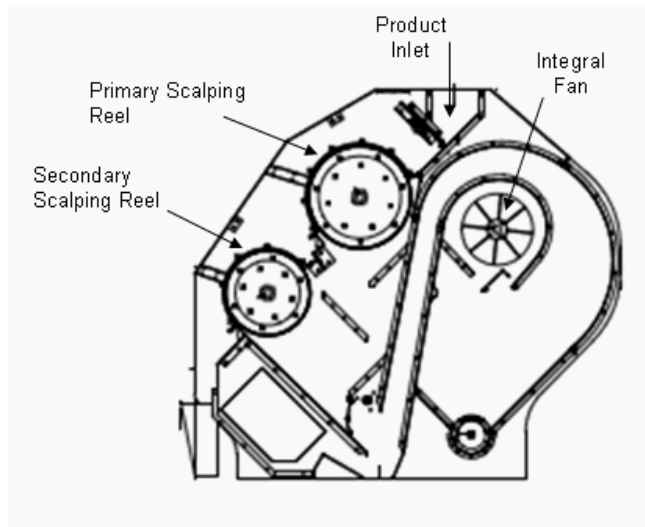


A WORD ABOUT ARROWCORP CLOSED CIRCUIT SCALPER ASPIRATORS

- DESIGNED FOR HIGH CAPACITY SCALPING AND ASPIRATING
- PRIMARY USED AS A RECEIVING PRECLEANER, PRIOR TO STORAGE
- SELF-CONTAINED CLOSED CIRCUIT DESIGN REDUCES DUST CONTROL REQUIREMENTS 75% OVER A CONVENTIONAL OPEN CIRCUIT MODEL
- ROTARY SCALPING ACTION ELIMINATES DYNAMIC LOAD ASSOCIATED WITH SHAKING SCREEN MACHINES



ArrowCorp Open Circuit



ArrowCorp Closed Circuit

